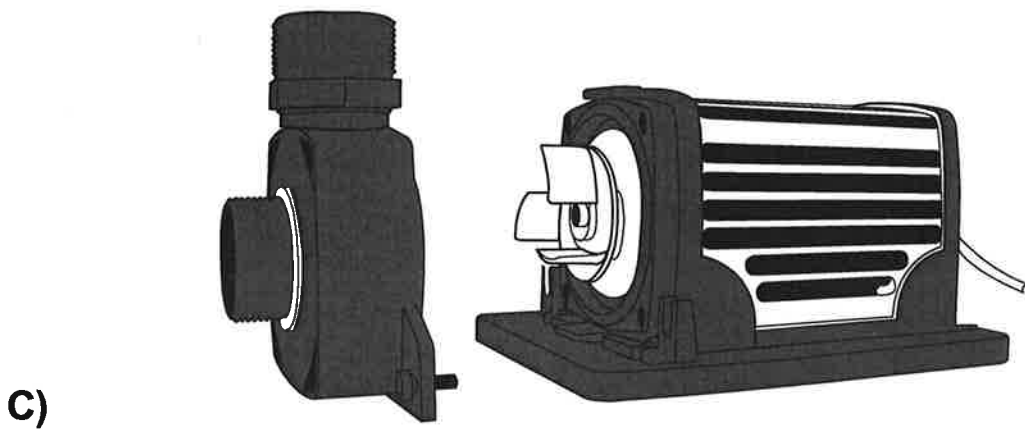
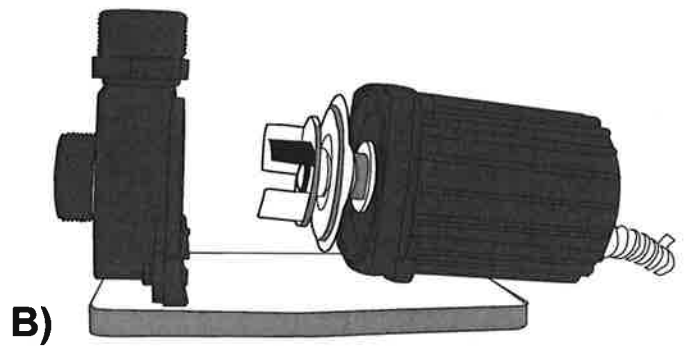
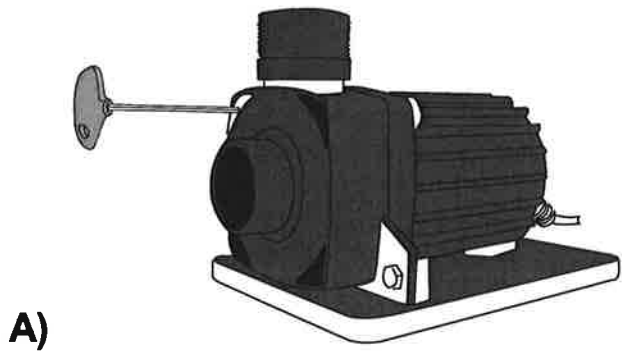


Operating Instructions





UniTech Perfect DRY



Technische Daten	Perfect 5000 Dry	Perfect 9000 Dry	Perfect 15000 Dry
Rated Voltage	230V/50Hz	230V/50Hz	230V/50Hz
Power Consumption	47 W	100 W	190 W
Max. flow rate	5000 l/h	9000 l/h	14800 l/h
Max. head height	1,90m	2,60m	4,40m
Cable	10m	10m	10m
Protection	IP X8	IP X8	IP X8
Dimensions	240x110x145 mm	240x110x145 mm	240x110x145 mm
Weight	3,2kg	3,2kg	4,2kg
Anschlüsse Saugseite	1 ½"	1 ½"	1 ½"
Anschlüsse Druckseite	1 ½"	1 ½"	1 ½"



Used symbols at the type label

	IP X8	 3,0 m			
explanation	Dust tight and submersible	Submersible to 3m depth	Must be removed at the first sign of frost	Do not dispose of together with household waste!	Attention! Read the operating instructions.

General Information

Thank you for deciding on a German quality product.

Please read the instructions for use carefully and make yourself familiar with the pump before initial installation. Be sure to read the safety information to ensure safe and correct use of your pump. Any work on this pump must only be carried out in accordance with these instructions.

The Unitech Perfect Dry Pump was designed especially for dry installation, but can also be used for wet installation. The high-performance Perfect Dry Pump is designed exclusively for conveying pond water for garden pond filters, water falls and water course systems with the water temperature between +4°C and +35°C. The pump must never be used with any fluid other than water. The Perfect Dry Pump is designed to transport contaminants of up to 8 mm. It is fitted with an thermo control device that ensures that the pump shuts down automatically in case of overheating. The pump switches on automatically when power is connected (risk of accident). Please see the type plate for pump performance data. **Inappropriate use an operation will void the liability of the manufacturer as soon as operating permit.**

Subject to observation of the national installation regulations, the pump is also suitable for use with swimming/bathing ponds

Scope of delivery

Perfect Dry 5000 / 9000 and 15000 pump models are provided with an Allen key and two hose fittings with a 1 ½" inside thread. The supplied hose connection is for hoses with a diameter of 32 or 40 mm.

CE Manufacturer's Declaration

We declare conformity as defined by the EU Directive EMU (89/336/EEC) and the Low Voltage Directive (2006/95/EU, 73/23/EEC). The following harmonised standards were applied:

EN 60335-1, EN 60335-2-41, EN 55014-2, EN 61000-3-2, EN 61000-3-3

Safety instruction

The manufacturer constructed this pump in accordance with the best available technology to the current safety regulations. In spite of this, hazards for humans and objects can emanate from this appliance if it is not used properly or as intended or if the safety information is not observed.

For safety reasons:

Children, juveniles under the age of 16 and persons who are not able to recognise possible hazards or who are not familiar with the instructions for use must not use this appliance.

All work using this appliance must only be carried out in accordance with these instructions. Contact between water and electricity can lead to a life-threatening hazard in the case of improper handling or connections that are not in accordance with regulations. Only operate the appliance if there is nobody in the water.

Always remove all mains plugs on all appliances in the water before putting your hand into the water. Compare the electrical data of the power supply with the type plate on the appliance. Please ensure that the appliance is protected by a RCD with a maximum measured residual current of 30 mA (EN 61008-1).

Only operate the appliance from sockets that have been installed according to regulations and only use earthed fittings that are approved for outside use. Never carry or pull the appliance by the connecting cable (power cable). The connecting cable cannot be replaced as it is firmly encapsulated in the motor housing. The appliance must not be operated if the connections are faulty. Please dispose of the pump if the cable is damaged.

In the case of garden ponds the electric fittings must comply with the international and national installation regulations. Only use original spare parts and accessories. Never make technical alterations to the appliance. Never operate the pump without water.

Swimming/bathing ponds

Subject to observation of the national installation regulations, the pump is also suitable for use with swimming/bathing ponds, consult your qualified local electrician.

Electrical connection

Only connect the pump to a 230 V alternating current. The socket must be fitted in accordance with national regulations. The mains plug and all electrical connecting parts must be dry. To protect the pump against excessive voltages, a 30 mA residual current circuit breaker must be fitted between the pump and the socket (according to EN 61008-1).

It is only permissible to use the pump in a garden pond and its safe area if the socket has been installed according to DIN VDE 0100, part 702. If there are any doubts in respect of the connection to the power supply, please consult a qualified local electrician.

Protect the pump cable from damage especially if there is the possibility of direct contact with gardening appliances such as lawn mowers or with children and pets. If an extension lead is required to connect the pump, please ensure that this has a protective ground contact and is approved for outside use. The same applies to fittings, cables or other connecting lines. All electric fittings on ponds must comply with the national and international installation regulations. All warranty claims are excluded following improper repair or opening of the pump by third parties. Likewise, liability will not be accepted for consequential damages. Only ever carry out work on the appliance when the power is off.

Important Upon initial installation please ensure that you allow for at least 1 metre cable clearance for cleaning and maintenance work (see cleaning/maintenance).

Dry Installation

PLEASE NOTE The appliance must not be able to suck in air or be operated without water. DANGER OF DESTRUCTION.

- In order to avoid flow losses, only choose hoses with a large diameter and the hose length as short as possible. We recommend an inlet hose with a diameter of 40 mm. Cut the stepped hose tale at the notch intended especially for this.
- Fit the inlet and outlet hose to the hose fittings on the pump, making sure they are watertight.
- Place the pump and the mounting plate on a firm subsurface in a horizontal and safe position. In addition and if necessary, the mounting plate can

- be fastened to the subsurface.
- Avoid direct sunlight and install the pump in a frost free position.
- The inlet hose and the pump must be at least 20 cm under the water level and filled with water before being switched on (pump is not self-priming).

Wet Installation

PLEASE NOTE The appliance must not suck in air or be operated without water flow. DANGER OF DESTRUCTION

- In order to avoid flow losses, only choose hoses with a large diameter and the hose length as short as possible. We recommend an inlet hose with a diameter of 40 mm. Cut the stepped hose tale at the notch intended especially for this.
- Place the pump and the mounting plate on a firm subsurface in a horizontal and safe position. Uninstall the pump in case of frost. The pump must be at least 25 cm under the water so that it does not suck in air.

Initial operation

PLEASE NOTE Hazardous electric voltage. Possible consequences: death or serious injuries (see safety information)

- Only operate the pump if nobody is in the water. Always remove the mains plugs on all appliances in the pond before putting your hand into the water
- The pump switches on automatically when power is connected.
- Remove the mains plug to shut down the pump.

Overload protection

The pump is fitted with an automatic thermal overload protection. This switches off the pump if it overheats. If this occurs, switch off the power at the mains supply to the pump. Check for the cause. Usually it will be debris blocking the inlet of the pump or obstructing the impeller or limescale build up. Remove the cause and wait for the pump to cool down. Then switch on the pump again.

Cleaning / maintenance

PLEASE NOTE Hazardous electric voltage. Possible consequences: death or serious injuries (see safety information)

- **PLEASE NOTE** Always remove the mains plug before cleaning or carrying out maintenance work on the pump. Always remove the mains plugs on all appliances in the pond before putting your hand into the water.
- The maintenance intervals depend on the degree of pond water contamination and/or water hardness.
- At the beginning check the function and contamination of the pump/rotor/rotor compartment every day. Later on, choose the time intervals accordingly.

We recommend maintenance and cleaning on a regular basis in order to ensure long-term flawless operation and to extend the service life of your pump. Dismantle the pump according to the disassembly drawings. Clean all parts under running water using a soft, lint-free cloth (e.g. leather). Check all parts for damage and replace them if necessary.

In the event that the rotor or the rotor compartment is affected by calcium or limescale deposits, use diluted acetic acid to dissolve the limescale. The time involved depends on the degree of calcination. To clean further, remove the rotor (Disassembly / Assembly) and clean the entire unit completely using fresh water and a soft, lint-free cloth (e.g. leather). The pump can be re-assembled in the reverse order once cleaning has been complete.

Disassembly / Assembly

1. Please observe the safety information. Disconnect pump from the mains.
2. Use a size 10 spanner to loosen the two screws on the lower right and left side next to the pump.
3. Pull the pump forward carefully and remove from the pump retainer. Please ensure that adequate connecting cable is available for this (at least 1 metre).
4. Use the Allen key supplied with the delivery to loosen the 4 stainless steel screws on the front of the pump cover. Lift off the pump cover and remove the running wheel.
5. The pump can be re-assembled in reverse order after cleaning/maintenance has been completed.

PLEASE NOTE: Always remove the mains plug before cleaning or carrying out maintenance work on the pump. Always remove the mains plugs on all appliances in the pond before putting your hand into the water.

Troubleshooting:

Is the pump getting enough water?

Is the pond filter blocked?

Are hoses or nozzles blocked?

Has the pump rotor seized up (cleaning according to instructions)?

Has the pump cooled down?

Once you have remedied the problems, the pump can be put back into operation again.

Breakdowns	Cause	Remedy
Pump not running	No power supply Residual current circuit breaker triggered Pump rotor assembly jammed The thermal overload has tripped	Check power supply Check fuse box, RCD and wiring Remedy blockage or clean pump. See Instructions
Pump not conveying at all or only small quantity	Pump not deep enough under water Inlet blocked Air in the system Hose buckled Excessive flow resistance	Check pump water-level Check feed line, clean Check feed line Check hose Reduce/check hose length and use larger diameter hose

Storing in winter

As this pump range is fitted with a high-quality ceramic shaft, it has to be uninstalled in case of frost. Clean the pump thoroughly and store it in a frost-free place (at room temperature) in a container filled with water.

Disposal

Please dispose of the pump in accordance with the national regulations. Please consult your specialist dealer in this respect.

Warranty

As long as the Perfect Dry Pump has been used properly as a pond pump, fitted and handled correctly and, as we see it, has not been vandalised, we provide a 5 year warranty as from purchase of the pump. Please keep the sales receipt, as this is proof for the warranty. At the same time, the attached warranty card should be completed by the dealer following purchase of the pump. Please keep this together with the sales receipt.

Damages due to faulty storage or installation and damages due to limescale are excluded from liability. Liability claims are restricted exclusively to the repair or replacement of a faulty pump. The warranty cannot be transferred to third parties. Statutory customer protection rights are not affected by this.

Warranty section
(please complete and keep with the sales receipt)

pumpmodell: UniTech Perfect Dry 5.000 / 9.000 / 15.000
(please tick appropriate model)

Date of purchase	
Serial number	
Name/adress of specialized trade: (stamp)	